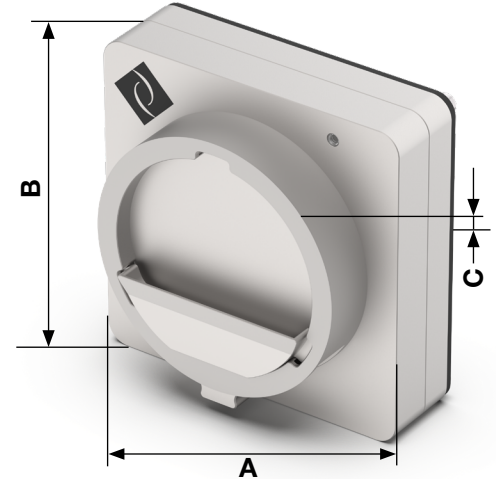


Features

- ✓ One multi-use system for all BioProTT™ FlowSU Sensor sizes.
- ✓ Power Supply of 24 V DC.
- ✓ Easy sensor exchange through innovative locking mechanism.
- ✓ On-Site Adjustment feature.
- ✓ No separate transmitter required inside the process cabinet.



Technical Specifications

Dimensions (A x B x C) and Weight	135 x 135 x 60 mm ± 5 mm, approx. 1900 g
Housing Material	Stainless steel (316L; material no. 1.4404 (X2CrNiMo17-12- 2))
Surface Roughness	Rz = 10
IP-Code	IP65 (=UL 50E Type 2): in mated and mounted condition; i.e. when protection cap or sensor is attached and when mounted to the skid. IP20: in unmated and/or dismounted condition; i.e. when protection cap or sensor is not attached and/or when not mounted to the skid
Power supply	24 V DC (± 10 %) supplied externally, max. 2000 mA (certified power supply according to IEC 62368-1with power limitation (LPS))
Sensor Connection	USB-C port
Expected Product Life	5 years
Interface	
Analog interface	(0) 4 mA - 20 mA
Protocol	Modbus TCP (RJ-45 connector)
Ambient Conditions	
Air Pressure	70 kPa to 106 kPa
Operating Altitude	Up to 2000 m (6600 feet)
Operating temperature range	10 °C to 40 °C (50 °F to 104 ° F)
Storage temperature range	-20 °C to 45 °C (-4 °F to 113 ° F)
Transport temperature range	-20 °C to 55 °C (-4 °F to 131 ° F)
Relative Humidity (Transport, Storage, Operation)	10 % to 96 % (non-condensing)
EMC	To be ensured by customer

The BioProTT™ FlowSU Analog System Series comprises the following variant for sensors

	Type	Size	Termination (in/out)	Wetted Material
BioProTT™ Sensor Variant				
FlowSU Sensor 1/4"	SU-1/4-HB-HB	1/4"	Hosebarb/Hosebarb	PC, Lexan Resin HPH4404
FlowSU Sensor 3/8"	SU-3/8-HB-HB	3/8"	Hosebarb/Hosebarb	PC, Lexan Resin HPH4404
FlowSU Sensor 1/2"	SU-1/2-HB-HB	1/2"	Hosebarb/Hosebarb	PC, Lexan Resin HPH4404
FlowSU Sensor 3/4"	SU-3/4- HB-HB	3/4"	Hosebarb/Hosebarb	PC, Lexan Resin HPH4404
FlowSU Sensor 1"	SU-1/1- HB-HB	1"	Hosebarb/Hosebarb	PC, Lexan Resin HPH4404

DESIGN FOR LIFE



WARNING: The customer is solely responsible for determining the necessary or most suitable product or service for any particular use case or application. All such risks are assumed by the customer. Specifications subject to change without notice.

WARRANTY: For product warranty information, please contact: info@cpc-bio.com or +1 800-519-7633.

For trademark information, please visit: www.cpc-bio.com/trademarks-and-patents

© 2026 CPC BIOTECH. ALL RIGHTS RESERVED.

ID143-712 BioProTT™ FlowSU Analog System — V1.0

CPC BIOTECH | EM-TEC GMBH

Lerchenberg 20

86923 Finning, Germany

Phone: +49 8806 9236 0

Email: em-tec-info@psgdover.com

cpc-bio.com