

# Operating and Installation Instructions

## Quattroflow 2500SU 4-Piston-Diaphragm Pump Polypropylene pump chamber (Single Use)



Models without (image left hand) and with separate control box (no image), with integrated controller QControl (image middle); with integrated controller HT model (image right hand); other versions are possible.

Please read this manual carefully before start-up of the pump and take care of an appropriate instruction of the operating staff.

**Attention!**  
**Please regard the warning and safety advices!**

Original Instruction



## Contents

1. General .....	3
1.1. Introduction.....	3
1.2. Storage.....	3
1.3. Labelling of the pump .....	3
2. Description of the Quattroflow 2500SU Pump .....	4
2.1. Appropriate use .....	4
2.2. General description of the machine .....	4
2.3. Installation .....	5
2.4. Start-up.....	5
2.5. HT-Compact model with integrated controller .....	6
2.6. QControl.....	7
2.6. Cleaning .....	7
2.7. Autoclave.....	7
2.8. Gamma Irradiation.....	7
3. Safety.....	8
3.1. Labels at the pump.....	8
3.2. Qualification of the personell .....	8
3.3. Responsible working .....	8
3.4. Dangers in case of noncompliance with the safety instructions .....	8
3.5. Safety hints for the operator .....	8
3.6. Safety instructions for maintenance, inspection and mounting operations .....	9
3.7. Unauthorized reconstruction and spare part usage .....	9
3.8. Inadmissible modes of operation .....	9
3.9. Further warning and safety instructions .....	10
4. Maintenance/Serviceing QF2500SU .....	12
4.1. Exploded views.....	12
4.2. Replacement pump-chamber .....	17
4.3. Replacement of the bearing unit.....	18
4.4. Torques .....	18
5. Operating troubles, causes and remedial action (Troubleshooting) .....	19
6. Performance charts .....	20
6.1 Performance chart of the QF2500SU standard version.....	20
6.2 Performance chart of the QF2500SU-HT .....	20
6.3 Performance chart of the QF2500SUQCon.....	21
7. Technical Data.....	22

# 1. General

## 1.1. Introduction

These operating instructions are valid for the Quattroflow 2500SU pump.

No liability will be undertaken for any damages caused by non-compliance with the operating instructions and service conditions! Original spare parts serve safety purposes. The use of other parts may cancel the liability for the consequences and secondary failures resulting thereof.

Manufacturer:

PSG Germany GmbH  
Hochstraße 150-152  
47228 Duisburg, Germany  
Telefon: +49 2065 89205-0  
E-mail: [info@cpc-bio.com](mailto:info@cpc-bio.com)  
Internet: [www.cpc-bio.com](http://www.cpc-bio.com)

Quattroflow quaternary diaphragm pumps are constructed according to the state of the art and they are reliable. Imminent danger by operating error or misuse can lead to damages of properties and/or persons. The pumps are to be applied for the intended use and in a safety-related proper condition only.

## 1.2. Storage

In general the Quattroflow pump is delivered operational and packaged. If the unit is not installed right away, proper storage conditions are important for a trouble free operation later. The pump has to be protected from wetness, coldness, dirtying, UV-radiation and mechanical influences. The following storage conditions are recommended:

- Steady ventilated, dust and vibration free storage room
- Prevention of direct thermal influences (sun, heating)

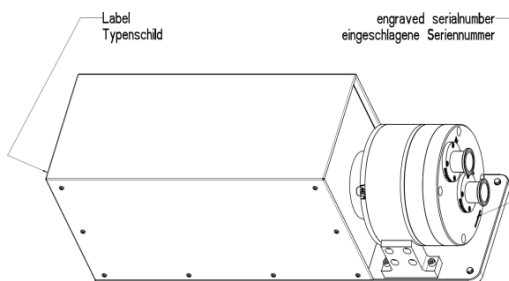
## 1.3. Labelling of the pump

The PSG Germany GmbH is certified as a modern, quality-orientated enterprise according to DIN EN ISO 9001:2015 and 14001:2015. Before release for dispatch, any Quattroflow pump has to undergo an extended final control. The performance data registered during this are archived in our records and can be read back at any time.

As a general rule in the countries of the EU only such machines are allowed to take into operation, which are determined to meet the regulations of the EU machinery directive, the harmonized standards, European standards and the respective national standards. Hence the operator has to verify whether the Quattroflow pump manufactured and delivered properly according to the customers order meets the mentioned requirements.

Therefore make sure, before putting the pump into operation, that the pump and the used materials of construction are suitable for the provided application and the installation site.

The type label of each Quattroflow pump can be seen on the bottom of the base plate. Besides the serial number of the pump head is fixed at the front cover.



## 2. Description of the Quattroflow 2500SU pump

### 2.1. Appropriate use

The Quattroflow 2500SU is a 4-piston Diaphragm pump, which is mainly used to pump water-like fluids that are typically handled in research-, pilot plant- or production facilities of the pharmaceutical, biotech, food or cosmetic research centers or plants.

Examples:

- Solutions containing proteins (albumin, IgG, Clotting factors, monoclonal antibodies, enzymes, vaccines.)
- Solutions of polymers or suspensions (silicon, latex, chromatography media)
- Cell suspensions (bacteria, yeast, algae, fungi, mammalian cells)
- Colloidal solutions
- Suspensions of viruses or phage
- Dairy products
- Gelatine
- Supplements and ingredients for cosmetic and food

### Typical applications for the QF2500SU

- Filtration technology:
  - To recirculate feed/retentate (e.g. membrane cassettes, hollow fibre, spiral wound, ceramic elements)
  - Feed pump for filter cartridges or plate and frame depth filters
- Chromatography:
  - Packing of chromatography columns
  - Feed pump to mix gradients
- Feed pump for centrifuges or separators
- Feed pump for homogenizers
- Feed pump for filling machines

### 2.2. General description of the machine

The Quattroflow 2500SU pump is a 4-piston diaphragm pump. The four segments of the pump diaphragm oscillate back and forth. This alternate movement is created by a connector plate that is arranged on a ball bearing. The ball bearing sits on an eccentric shaft. The connector plate does not turn!

The stroke of the pistons is determined by the angle of the eccentric. There are eccentric shafts with 5° available.

Range of flow rate: 50-2500 L/h (11-550 gph).

#### **Please note:**

The delivery direction of the pump is independent of the direction of rotation of the motor.

The Quattroflow 2500SU is self-priming and can run dry. Inside the pump chamber there are no rotating parts that might cause heating up of the product or shed particles.

## 2.3. Installation



### **Fuses and residual current circuit breakers (RCD)**

National norms and standards must be observed when connecting the Quattroflow pump.

We recommend installing the pump with suitable pre-fuses.

If you use a residual current circuit breaker (RCD), only a type B or B + RCD is permitted, as the integrated speed control via frequency converter can cause a type-dependent leakage current  $\geq 3.5$  mA with a direct current component in the protective earth conductor.

Make sure that only the Quattroflow pump is connected via the current path protected by the residual current circuit breaker.



To connect the pump in compliance with CE, the protective ground conductor must have a minimum cross-section of 2.5mm<sup>2</sup> (AWG14).

In addition, the protective ground conductor must be protected against mechanical damage along its entire length, e.g. as part of a multi-core cable or by using installation pipe.

If there is no mechanical protection, the protective conductor must have a minimum cross-section of 10mm<sup>2</sup> copper (AWG 8) or 16mm<sup>2</sup> aluminium (AWG 6).

If the pump is also connected via a plug connection, this must be approved for industrial applications in accordance with IEC 60309.

## 2.4. Start-up

Before start-up of the pump anyone should acquaint oneself with the explanations of the chapter troubleshooting (see page 19). Only by this the defect quickly can be realized and eliminated in case of trouble. Problems which cannot be solved or with an unknown reason should be passed on to the manufacturer.

Prior to each use we recommend to flush the pump with a proper fluid (e.g. water or buffer).

Prior to the very first use it might make sense to clean and sanitize the pump chamber. A commercial caustic cleaner and/or 0.1N to 0.5N NaOH can be applied. The chosen cleaning agent can be recirculated and also stored inside the pump chamber. For flushing out of any cleaning agent do not recirculate! Check with appropriate analytical methods the success of the flushing procedure.



### **Recommendation: Test run prior first use!**

Before using your pump in your process perform a test run to get used to the specific properties of the pump.

**Please note:** PSG Germany GmbH is also building custom-made pumps and set-ups. These modified pumps can be different from this one that is described in here. However the basic information is applicable to all of the Quattroflow 2500SU Series pumps. Please do not hesitate to contact us for further information.



Pay attention to a sufficiently dimensioned piping. A too small piping of the suction line can cause cavitation as well as a loss of performance.

If hoses were used in the suction line, make sure that they do not collapse due to the negative pressure.

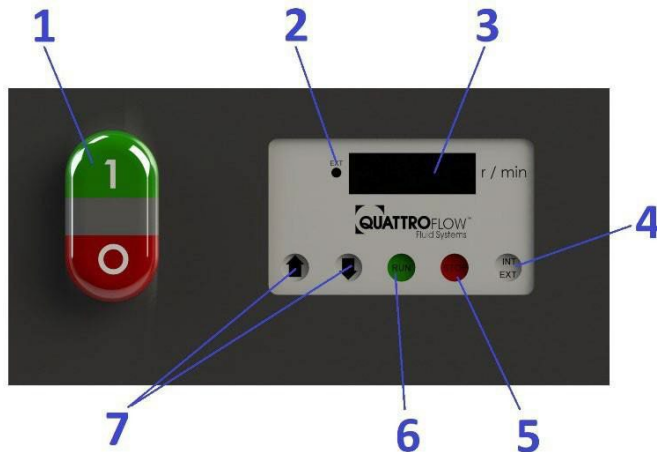
When installing the pump please consider that around the pump enough space is available for operation and maintenance. Pay attention to the required space needed for assembly and disassembly of the pump chamber (see chapter 4).

During start-up pay attention to the warning and safety instructions of the following chapter 3 of this manual.



## 2.5. HT – Compact model with integrated controller

The compact model HT is equipped with a 5° eccentric shaft and delivers a flow rate from 25 – 2500 l/h.

Operation of a QF2500SU-HT via the control panel:



1	Main On-/Off-button
2	LED „external“
3	Display (rpm max. 1200)
4	shift control source INT=Panel (LED ext is off) EXT=Analog signal (LED ext. is on)
5	STOP = stop the pump
6	RUN = start the pump
7	uparrow = increase pump-speed downarrow = decrease pump-speed

Switch position when pump is turned on	Selected mode on panel	Description of INT/EXT mode:
		
INT	INT	For manual control of the pump (speed and start/stop) over control panel.
EXT	EXT (will be set automatically)	For external (remote) control of the pump over analog signal. Default is 4-20mA (further details see wiring diagram). In this mode all push buttons on the panel are locked. <b>Important:</b> For set external (remote control) first change the switch on the rear side to EXT and then switch on the pump.

Error codes:	
err1:	open loop current output
err2:	analog input out of range (> 10.5V or <3.5mA / > 21 mA)
err3:	internal supply voltage too low
err4:	internal supply voltage too high

**Attention:** The optimal motor parameter are set by the factory. Only authorized and qualified personnel should change the parameter of the control panel (on the back of the panel via DIP switches)!

### Attention

**Pay attention for the separate operating instructions of SEW Eurodrive!**

**QF2500SU-HT Pump**

**Motor: SEW CMP71S**

**Speed Control: Digital control panel or analog input 4-20mA**

## 2.6. QControl

All versions whose article code includes "QCon" are equipped with the control panel "QControl". The control panel is covered in a separate manual, therefore see the "QControl manual" for further information.

## 2.7. Cleaning (CIP)

Depending on the products in contact with the pump and given requirements the cleaning procedure needs to be adapted accordingly. It is the responsibility of the user to verify the cleaning efficiency. Safety rules and safety measures like protective glasses, gloves and protective clothing have to be followed and used when working with chemicals like sodium hydroxide (NaOH).

As a general rule we recommend to clean the pump according to the following procedure.

1. Pre rinse the pump with pure water, until residual amounts of product have been removed.
2. Cleaning step with 0.5 M NaOH (ca. 50°C) at 80% of the maximum RPM for approximately 30 min. Check before, if surrounding conditions (e.g. pipe diameter, system pressure rating) allow to operate the pump at this speed.
3. Final rinse with pure water, until neutrality has been achieved (e.g. by measuring conductivity or pH of the rinse water).

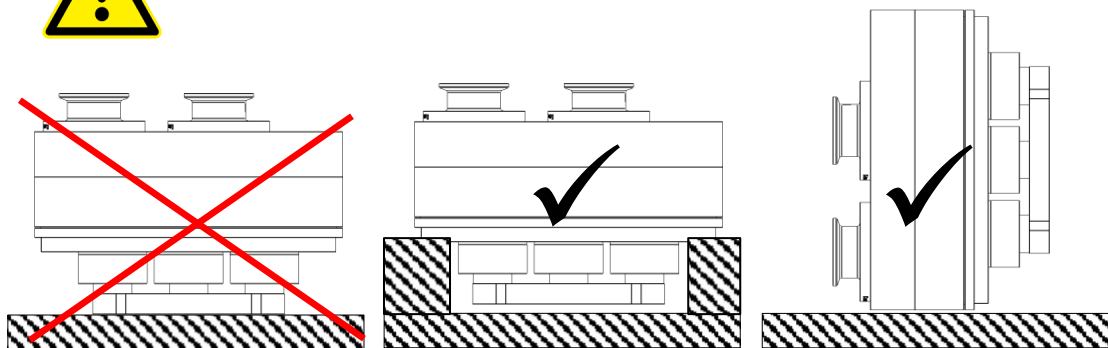
## 2.8. Autoclave

For autoclaving of the pump chamber we recommend the following steps.

1. CIP of the pump chamber according to 2.5 or any other suitable process
2. Empty the pump
3. Remove the pump chamber from the pump drive (see 4.2)
4. Close in and outlet of the pump e.g. by connecting hoses. Ensure that a free interchange of gas and steam over a sterile barrier (e.g. sterile filter) at in- and outlet is available.
5. Autoclaving of the prepared pump chamber in a vacuum autoclave at max. 130°C (266°F) for max. 30 min. Follow instructions of the autoclave manufacturer.



Please make sure that the pump chamber is not placed on the clamp ring during the autoclave process. The clamp ring should not be loaded during autoclaving.



## 2.9. Gamma Irradiation

The single use pump chamber can be gamma irradiated with a maximum dose of 50 kGy.

## 3. Safety

These operating instructions contain basic hints to be observed during installation, operation and maintenance. Therefore, prior to mounting and commissioning, these operating instructions must by all means be read by the fitter as well as the pertinent expert personnel/customer and must always be available at the place of installation of the pump. Not only are the general safety hints listed under this item "Safety" to be observed, but also the special safety hints in other chapters.



- **3.1. Labels at the pump**

Marking labels at the pump e.g.

- pmax 4 bar
- Fluid connections
- Direction of flow

must not be removed and has to be readable.

- **3.2. Qualification of the personell**

The customer is responsible for ensuring that all maintenance, inspection and mounting operations are performed by authorized and qualified expert personnel who have sufficiently informed themselves by thoroughly studying the operating instructions.

- **3.3. Responsible working**

Please follow strictly the safety guidelines of this manual, as well as all national and possible internal regulations (e.g. the handling of chemicals, like caustic or acid, the handling of biological materials, the handling of tubing, piping, instrumentation, fittings etc.

- **3.4. Dangers in case of noncompliance with the safety instructions**

In case of non-compliance with the safety instructions may cause danger to personnel, equipment and environment.

**It can cause for example:**

- Failure of the proper function of the pump/system
- Failure of required procedures for maintenance
- Danger to personnel by electrical, mechanical, chemical, biological impacts
- Danger to equipment and environment through leakage of dangerous substances

- **3.5. Safety hints for the operator**

- In case of hot parts (e.g. while CIP or SIP) protective measures have to be taken.
- Protecting covers of moving parts (e.g. coupling, cover of motor) must not be removed.
- Leakages of dangerous products have to be handled without any danger for persons and environment. Statutory regulations must be observed.
- Dangers by electrical energy are to be excluded (for details please refer to the regulations of the VDE and the local energy supply associations)

- **3.6. Safety instructions for maintenance, inspection and mounting operations**



- **Basically, operations at the pump must be performed during standstill only. The motor has to disconnect from the power supply, e.g. by pulling out the power plug or using a repair switch, and has to secure against unintentional switch-on. This can be realized by a lockable emergency switch. To prevent an accidental re-starting a danger sign should be installed.**



- The operator must ensure that all maintenance, inspection and installation work is performed by authorized and qualified skilled personnel acquainted themselves with this manual.
- Before starting to disassemble the pump, take care that the pump has been emptied, rinsed, depressurized and disconnected at all phases of the power supply. Both ports piping are to be closed and drained if applicable. If the pump is being deported from the plant, a reference about the delivered liquid has to be attached.
- Pumps or aggregates handling noxious fluids (e.g. caustic, bio hazardous) must be decontaminated. Immediately following completion of the work, all safety-relevant and protective devices must be re-installed and/or re-activated. Before putting the pump back into operation, take care of the mentioned instructions of the chapter "start-up" and check the tightness of the pump.
- Please respect the relevant additional security advices, if the pump has been used for aggressive, dangerous or toxic liquids (e.g. suitable protective equipment according to the safety data sheet of the liquid). In case of a diaphragm rupture, it is possible that residues of the liquid remain behind the diaphragms and in the area of the ring drive. Hence, appropriate safety equipment according to the safety data sheet of the liquid is indispensable.
- Especially when deliver critical liquids, wear parts, like diaphragms, should be replaced within a preventive maintenance.
- Procedure for pump return: According to the requirements of our 14001-certification, every unit which is send to PSG Germany for diagnosis or maintenance reasons has to be accompanied by a filled out decontamination-sheet. Otherwise a processing is not possible. The decontamination-sheet is enclosed to this manual. Please pay attention to the further safety regulations.

- **3.7. Unauthorized reconstruction and spare part usage**

The use of non-original Quattroflow spare parts or not authorized accessories and reconstructions lead to the lapse of the warranty immediately. When operating such a pump, damages of properties and/or persons cannot be excluded..

- **3.8. Inadmissible modes of operation**

A safety operation of the pump is ensured only by an appropriate use according to the specific data of the enclosed pump data sheet. The values limitations given in the data sheet must not be exceeded.



### • 3.9. Further warning and safety instructions

**These warning hints are to prevent the user from an inadmissible mode of operation. These warning hints are to be strictly followed to avoid any damage of the pump and/or any danger to personnel**



The maximum allowed discharge pressure depends on the temperature of the fluid: **p<sub>max</sub> at room temperature = 4 bar (>40°C = 4 bar)**. An exceeding of the maximum allowed discharge pressure must avoid in any case (do not remove the warning sign at the pump). As a result – if only temporarily – of an exceeding of the allowed discharge pressure the diaphragm can be damaged. The resulting leakage may lead to a loss of the pumping fluid and damages of properties and/or persons. Pay attention to a sufficiently dimensioned piping on the suction and discharge line to prevent a too high pressure in the pump. The pump chamber may not be set under pressure when it is not mounted on the drive.

- The free cross section of the suction side as well as the length must be measured in such a way to avoid cavitation.
- The use of a safety device (e.g. pressure switch) can be necessary.
- Please make sure that prior to the start of the pump the discharge line is checked. Make sure that there is no flow restriction in the discharge line to avoid any over pressure (e.g. closed valve).
- Flush the pump prior to use with appropriate fluid (e.g. buffer).
- Foundation design: The foundation must be designed so that it can take the weight of the pump aggregate on the entire surface.
- Please make sure that the pump is operated with the proper mains voltage and frequency to avoid damages and electrical danger.
- Make sure that the slots for the cooling air are not blocked.
- Due to the versatile possibilities to use the Quattroflow pump it is highly recommended to check case by case if the pump will be the right tool for the specific application. The user/operator is responsible to perform a proper method of testing if the pump should be applied for his specific application. The chemical and thermal compatibility of the elastomeric parts of the pump with the fluid that will be pumped are to be checked by the operator before the first process run. E.g. Oily, fatty fluids or solvents might cause a swelling and/or destruction of the elastomeric components. If in doubt, please contact the manufacturer!
- Operating the pump in humid or aggressive air can cause damages to the motor and control box.
- The control box should not be exposed to spray/splash water or to heat sources.
- Depending on the conditions of operation, the liquid conveyed might escape from the pump in case of a diaphragm rupture. For further safety requirements the optional equipment diaphragm monitoring is recommended.
- Pools of liquid which appear in the near outer area of the pump have to be inspected on danger potential, if necessary safety measures are to be taken.
- Chemical and biological reactions in the product chamber of the pump (mixture of different substances) and the freezing of the liquid have to be avoided.
- To avoid corrosion the contact of aggressive solutions (e.g. NaCl, HCl) with the outer stainless steel surfaces of the pump (e.g. hood, base plate) has to be prevented.
- The Quattroflow pump is a positive displacement pump and can theoretically generate an infinitely high pressure even at low speed (rpm). Prior to each start of the pump check and make sure that the discharge line is not closed or restricted. The design of the discharge line must not build up a pressure of > 4 bar (58 psi).
- Operating the pump with the suction or inlet side closed is not permitted and can lead to premature component wear.



- If suction and/or discharge line are flexible tubing, then make sure that these tubing do have the proper pressure rating for the full range of temperatures that are applied.
- Please follow the general safety guidelines when handling chemical fluids (wear gloves and/or glasses) before the pump chamber will be opened.
- Never operate the pump without coupling protection and motor housing.
- Quattroflow pumps can lead to bruises when lifting, sinking or assembling them. Appropriate accessories and safety equipments are to be used. Big and heavy modules have to fixed and secured to lifting gears when transporting/replacing them.
- Disconnect mains before doing any maintenance! The housing of the control box or the motor is to be opened only by skilled personnel. Check the electrical cables before connecting to mains supply.
- During all maintenance work it has to be ensured that no explosive atmosphere can arise. Appropriate protection equipment is recommended. The Quattroflow 4400SU **must not be operated in explosion-proof areas**. Special versions for “ATEX” applications are available. Please contact the manufacturer.



**Attention!** Inadmissible modes of operation, arbitrary reconstruction, spare parts production and/or any changes of the design (without admission of the manufacturer) may cancel the liability for the consequences resulting there from.

## 4. Maintenance/Service of the QF2500SU

Due to the robust construction the Quattroflow pump are widely maintenance-free. The ball bearings do not need any extra lubrication.

We recommend the following maintenance intervals for the different pump parts:

Component	Maintenance interval	Action
Shaft-bearing-cap unit	1000 h operating hours, at least once a year	Replacement of the complete unit (available as pre-assembled exchange-set)
Motor	Pay attention to the maintenance information of the manual of the motor	
Coupling	Pay attention to the maintenance information of the manual of the coupling	
Gear	Pay attention to the maintenance information of the manual of the gear	
Filter mats	Must only be subjected to a visual inspection. If required, they can be purchased from the manufacturer for replacement.	

In case the diaphragm is defective (e.g. due to too high operating pressure caused by a closed valve), the complete pump chamber must be replaced. After a crack in the diaphragm, the ball bearings on the eccentric shaft must be checked. In case of corrosion or clearly audible running noise, the corresponding parts of the maintenance kit for the bearing unit should also be replaced (PSKITWLC255-SU).



**Please follow the general guidelines and safety advices when handling with chemicals.**



**Disconnect mains supply before opening the pump housing!**

Basically, operations at the pump must be performed during standstill only. The motor has to disconnect from the power supply, e.g. by pulling out the power plug or using a repair switch, and has to secure against unintentional switch-on. This can be realized by a lockable emergency switch. To prevent an accidental re-starting a danger sign should be installed.



**After purging the pump with air there might be a small residual amount of fluid inside the pump chamber. Flush the pump chamber thoroughly and check the rinse fluid.**

**The dismounting and mounting of the pump should be done on a rigid table or work bench. Please note: the pump is heavy.**

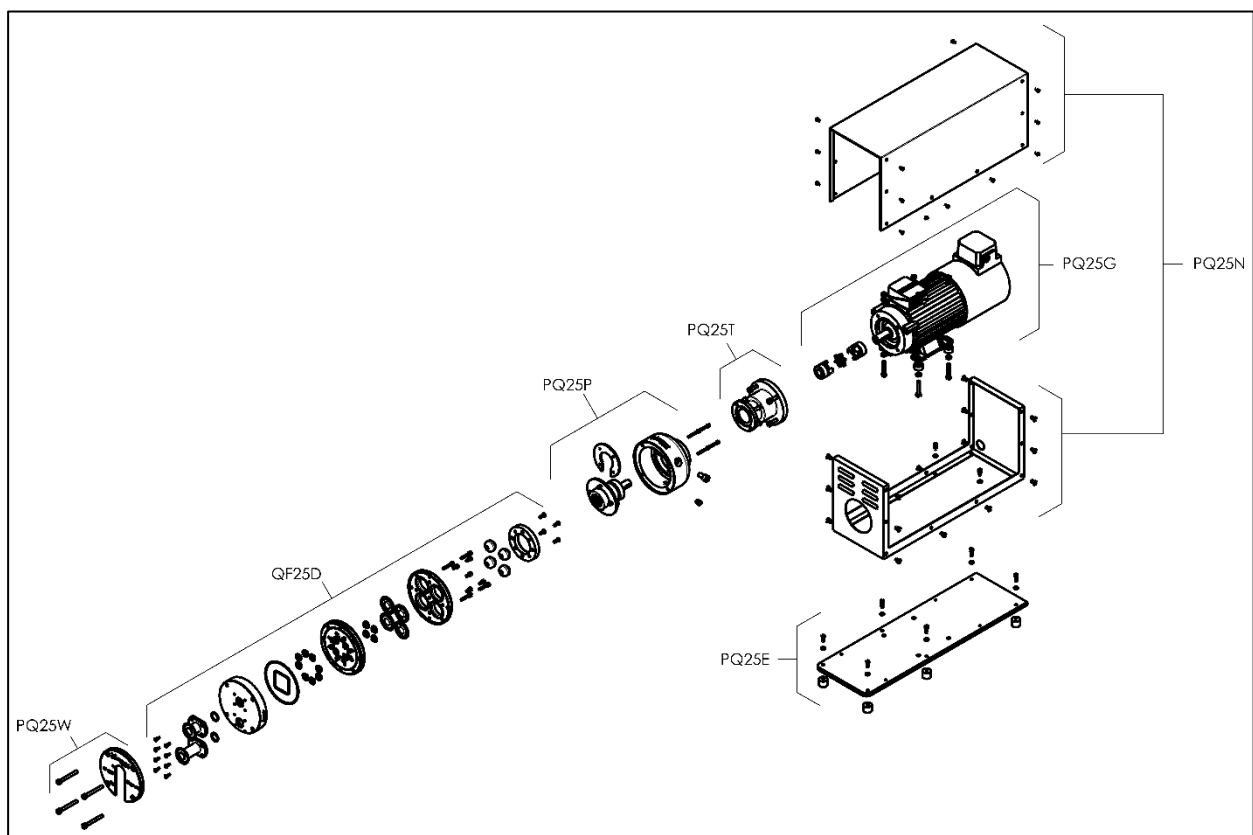
**All further warning and safety instruction of chapter 3 has to be respected.**

Please use the sequence of pictures and the following instructions for disassembly and subsequent assembly (in reverse order) using a maintenance kit PSKITWLC255-SU and the specified torques (see chapter 4.4).

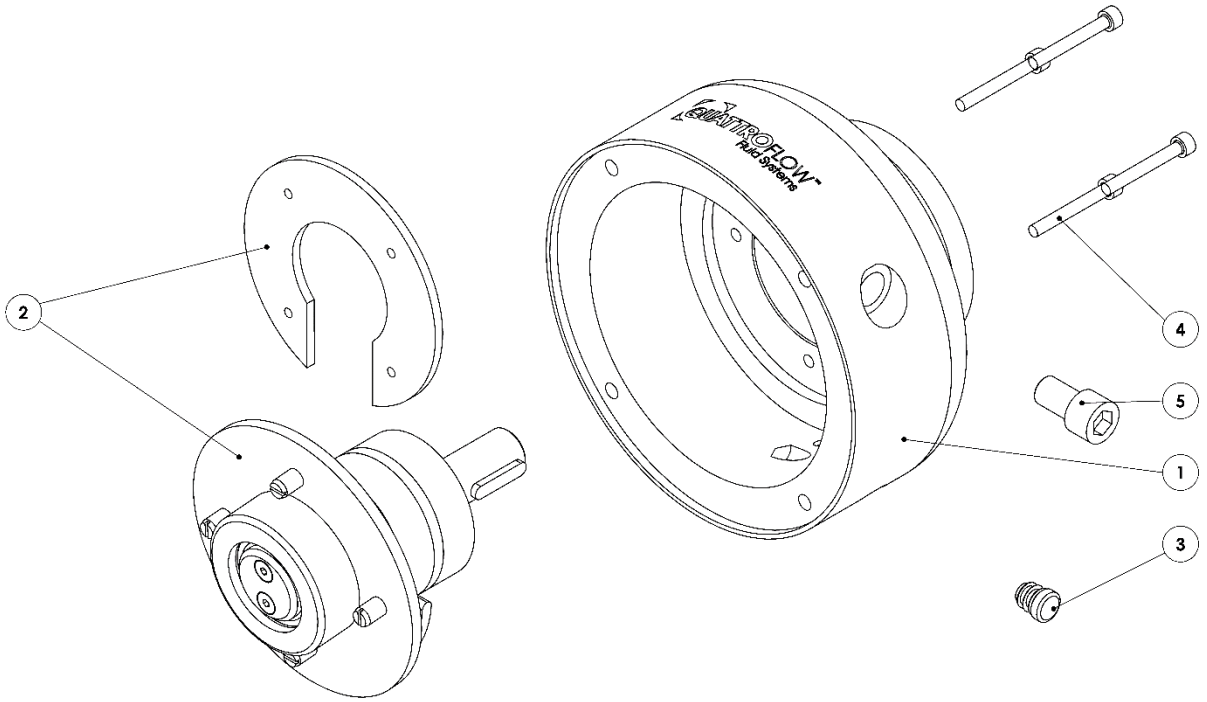
#### 4.1. Exploded views

PQ25P: Ring-drive unit, SU  
 QF25D: Pump chamber, SU  
 PQ25E: Base plate  
 PQ25G: Drive unit  
 PQ25N: Housing  
 PQ25T: Motor flange  
 PQ25W: Pressure plate

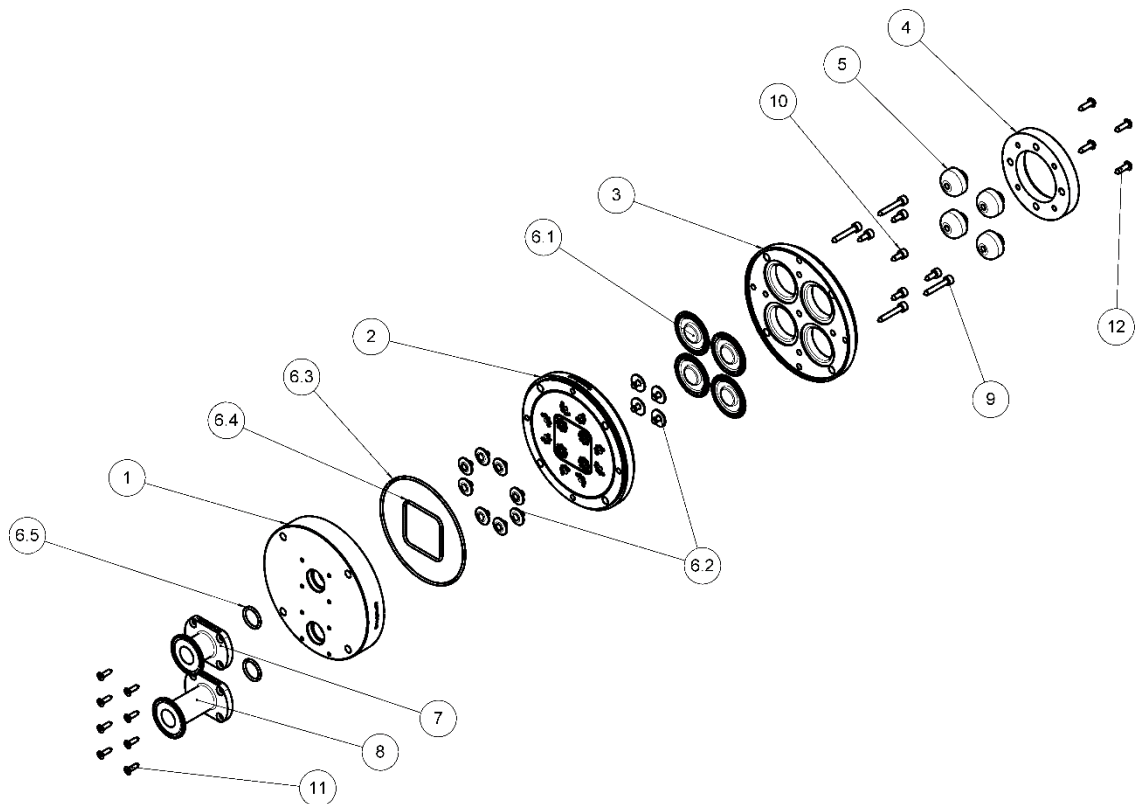
QF25PDEGNTW:



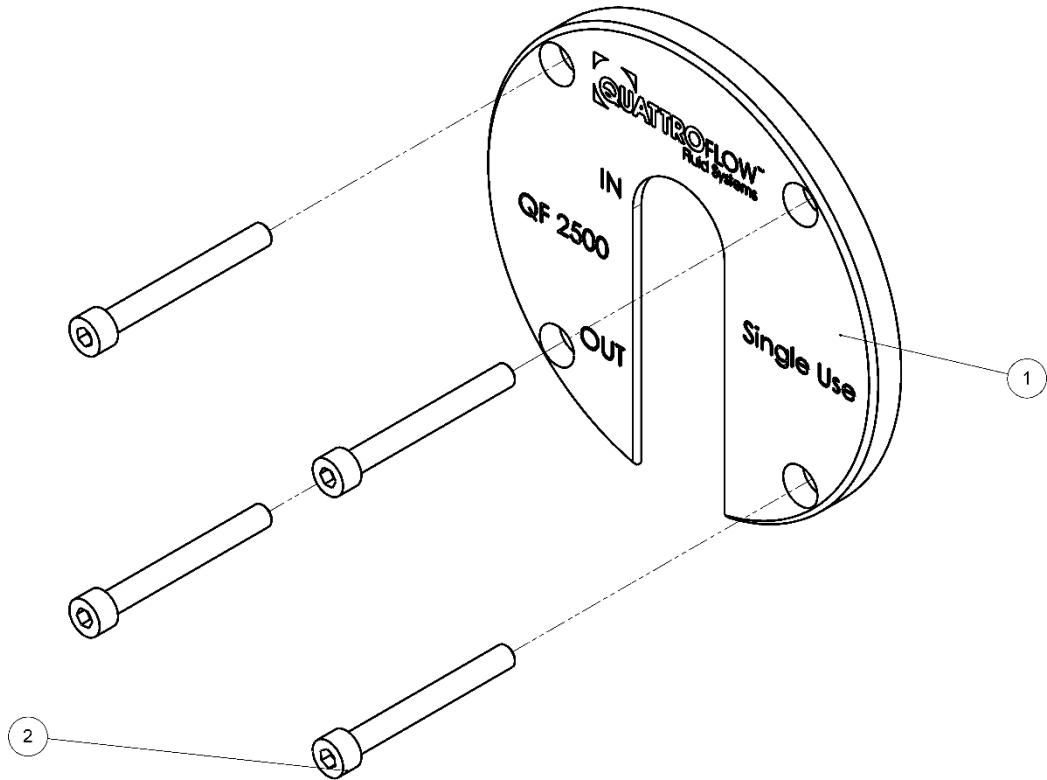
## PQ25P



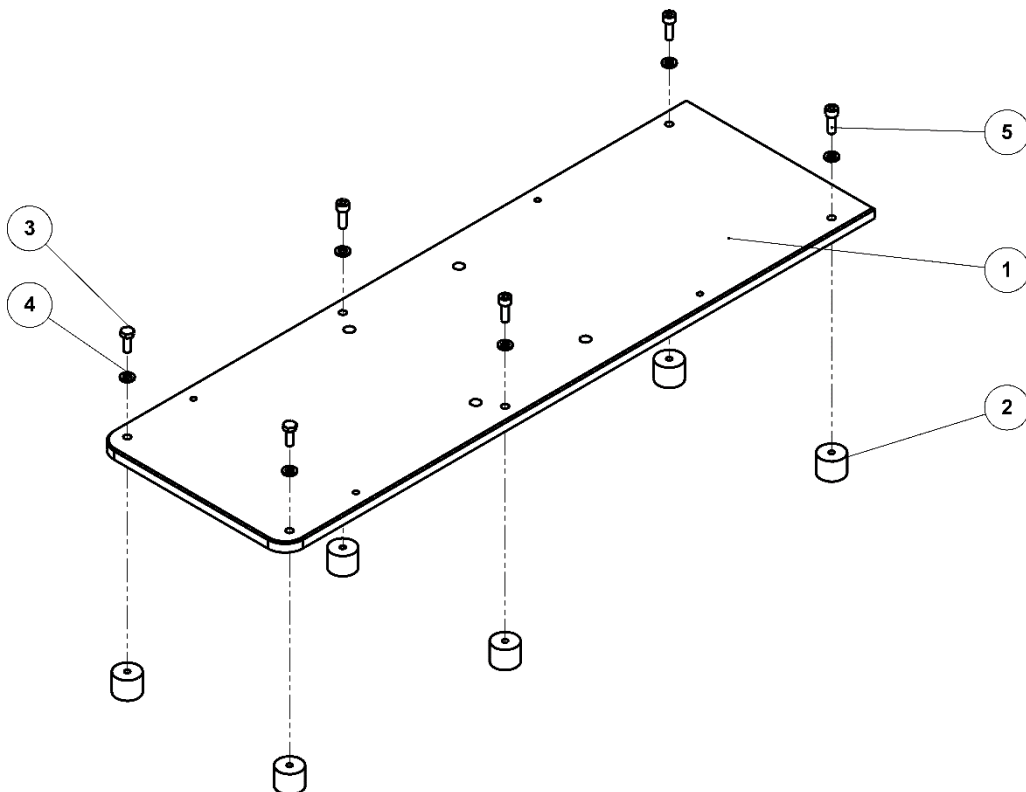
## QF25D



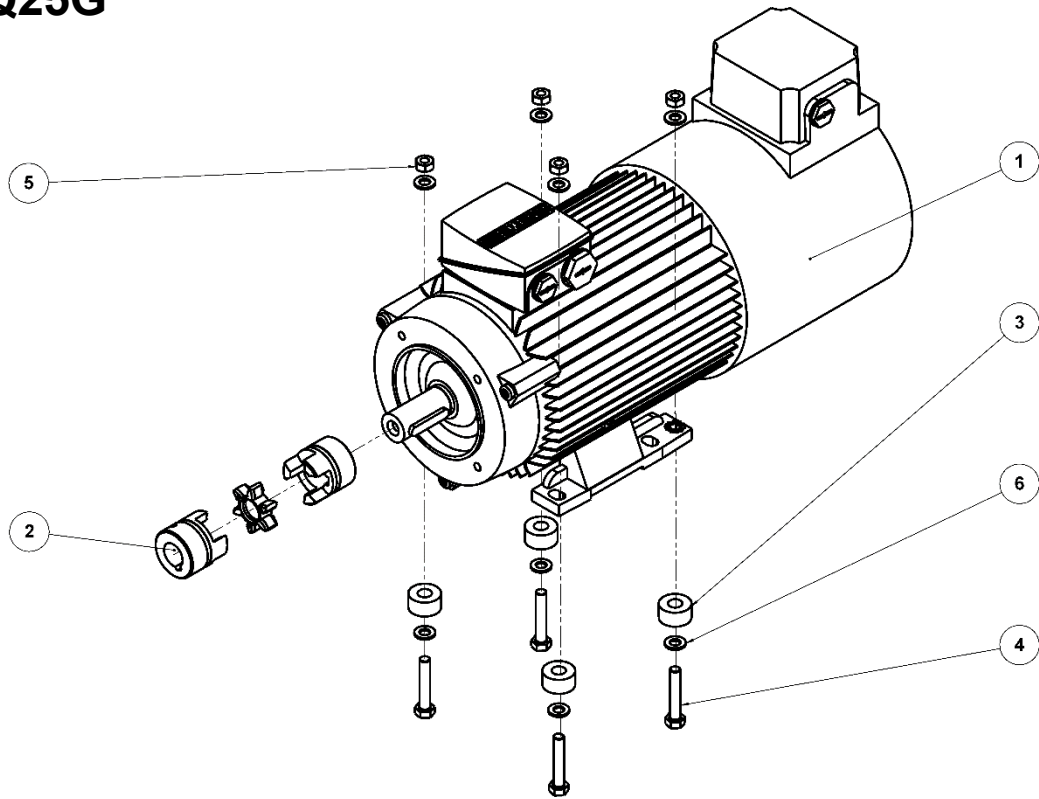
## PQ25W



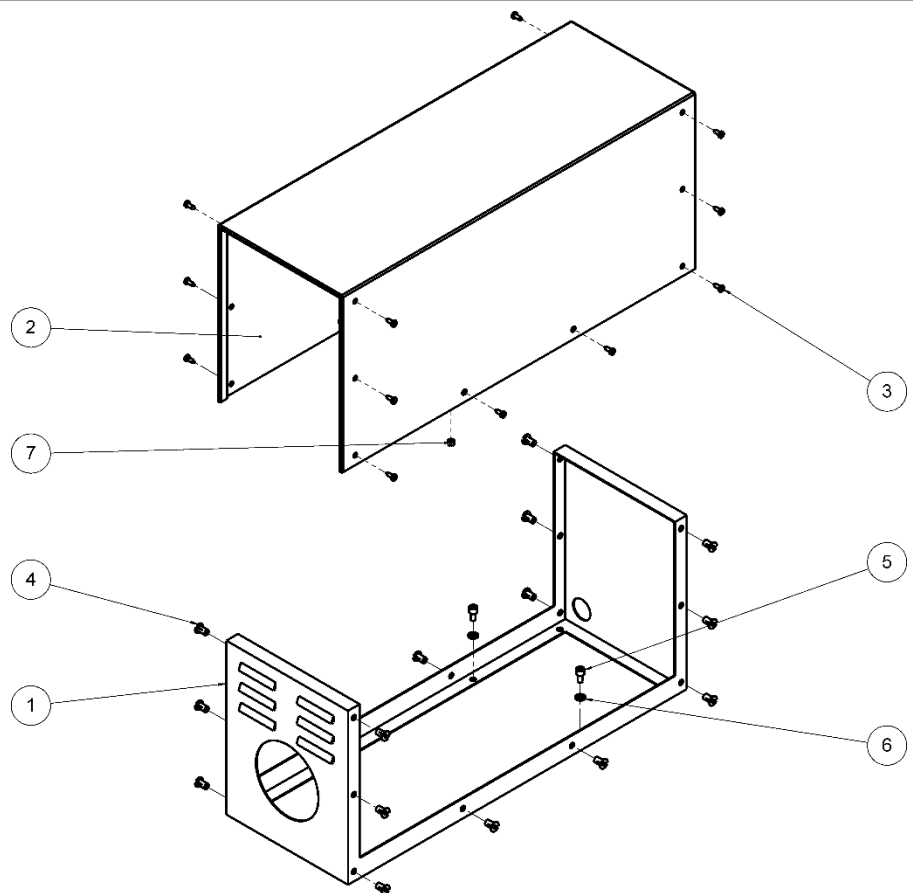
## PQ25E



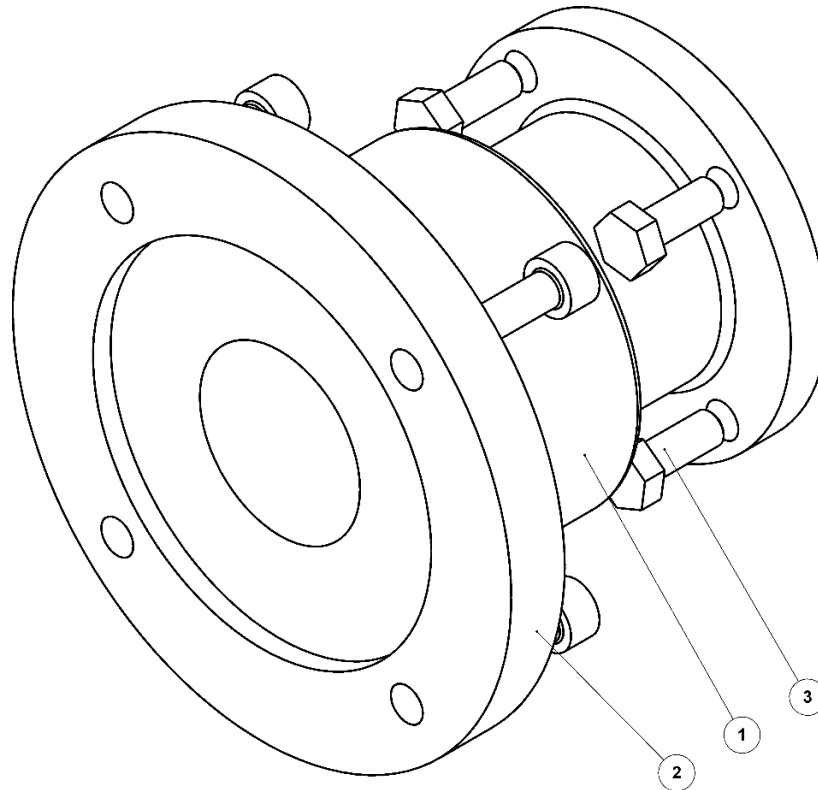
## PQ25G



## PQ25N



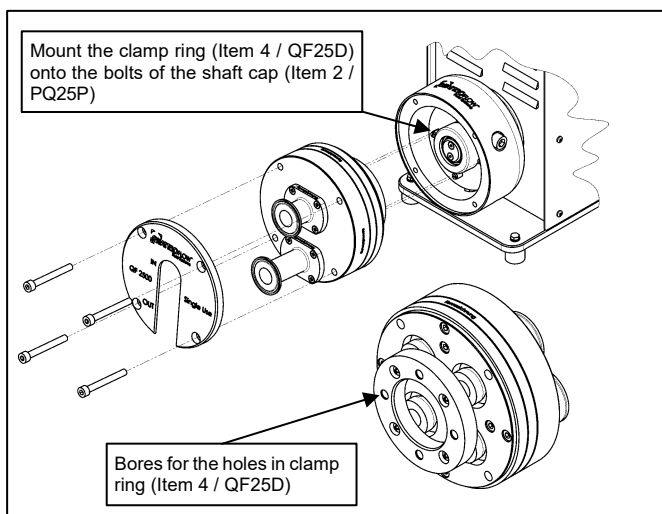
## PQ25T



### 4.2. Mounting/Dismounting the pump chamber (QF25D)

No.	Step	Assembly	Pos.-No.	Tools
1 / 2	Unscrew / Tighten up the hexagon socket screw	PQ25W	2	Allen key (6mm)
2 / 1	Dismounting / Mounting the whole assembly QF25D	QF25D		

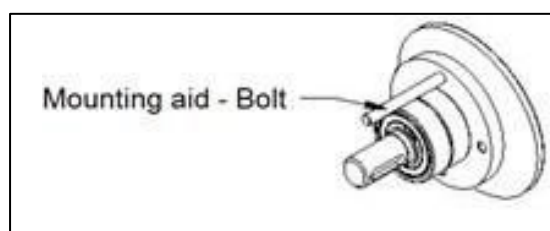
Installation of the pump-chamber:



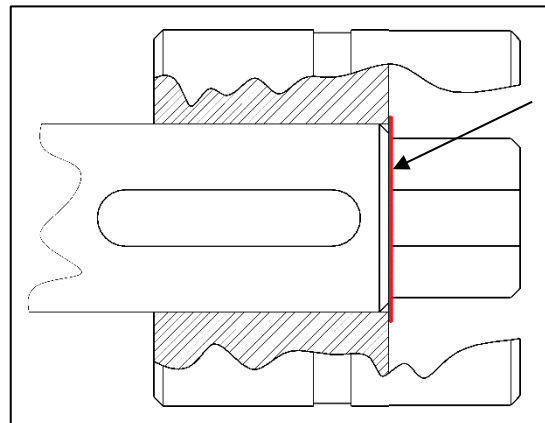
### 4.3. Exchange of the shaft unit [PSKITWLC255-SU]

No.	Step	Assembly	Pos.	Tools
1 / 8	Dismounting / Mounting as described under 4.2.	QF25D		
2 / 7	Unscrew / Tighten up the oval-head tapping screw and removing / installing the housing	PQ25N	3, 2	Phillips screwdriver
3 / 6	Unscrew / Tighten up the hexagon head screw	PQ25T	3	Open ended spanner (SW 13)
4 / 5	Dismounting / Mounting the ring drive unit	PQ25P		
5 / 4	Unscrew / Tighten up the set screw and dismounting / mounting the coupling half (pic. below)	PQ25P	2	Allen key (2,5mm)
6 / 3	Unscrew / Tighten up the hexagon socket screw out of / in the fixing ring	PQ25P	4, 2	Allen key (4mm)
7 / 2	Dismounting / Mounting the shaft-unit out of / into the bearing shell	PQ25P	2, 1	Mounting-bolt, soft-face hammer
8 / 1	Exchange of the shaft unit	PQ25P	2	

Usage of the mounting-bolt:



Coupling play:



### 4.4. Tightening torques screws

It is recommended to regularly protect all stainless steel screws from wear with assembly paste, e.g. Klüberpaste UH1 84-201.

Screw	Assembly	Pos.	Nm	lb-ft	Comment
Pressure plate	PQ25W	2	20	14,8	
Diaphragm cover plate (inside)	QF25D	10	3,6	2,7	To be observed only after autoclaving

## 5. Operating troubles, causes and remedial action (Troubleshooting)

No.	Operating troubles									Causes and remedial action
	Pump does not start	Pump does not prime	Delivery is not obtained or reduced	Pressure head is not obtained	Irregular pump delivery	Pump operates noisily	Pump is leaky	Motor gets too warm	Pump does not start	
										The screws of the pump-chamber maybe not tightened enough. Fix it!
1		X					X			Check the direction of flow showed by the arrow on the pump, in case of wrong way, turn the pump head.
2		X								Check suction pipeline and TC- seals for tightness.
3		X	X		X					Check suction head-increase suction line cross section.
4		X	X	X	X					Check viscosity of liquid pumped.
5		X	X		X					Check pump speed. Control speed of drive motor. Check voltage and frequency.
6	X								X	Avoid air inclusions in the liquid to be pumped.
7			X	X	X					Check pressure head-open valve in discharge line completely, remove obstruction in discharge line.
8			X		X					Pressure line completely or partly clogged, diaphragm maybe broken, change diaphragm!
9							X			The diameter of the pipes in suction or pressure line are too small.
10			X							Check the coupling halves. They must be fixed with 2-3mm space.
11						X				Check longitudinal play of coupling rod pins. The spider might be worn.
12						X				Check whether foreign bodies in pump. Disassemble pump, remove foreign bodies, replace defective parts.
13		X	X		X					Pump stopped by the thermal circuit breaker. Please allow the motor to cool down – please reduce the power consumption.
14	X							X	X	Bearings are worn or defective Disassemble pump, replace the shaft – bearing – cap unit
15	X					X			X	The valves are dry (e.g. not in use for a long time), deformed or worn. Change valve or wet the pump.
16		X								The diaphragm is burst ( the discharge pressure was too high) – replace it.
17							X			O-rings between valve plate and pump housing are defective.
18		X	X	X			X			Align coupling accurately
19						X				The clamping ring screw got loose –fixe it!
20			X			X				Pump after SIP cooled down too fast – slow cooling with room temperature
21							X			The screws of the pump-chamber maybe not tightened enough. Fix it!

## 6. Performance charts

Testmedia: Water at ambient temperature  
 Type of eccentric shaft: 5°  
 Discharge pressure: 0 to 4 bar

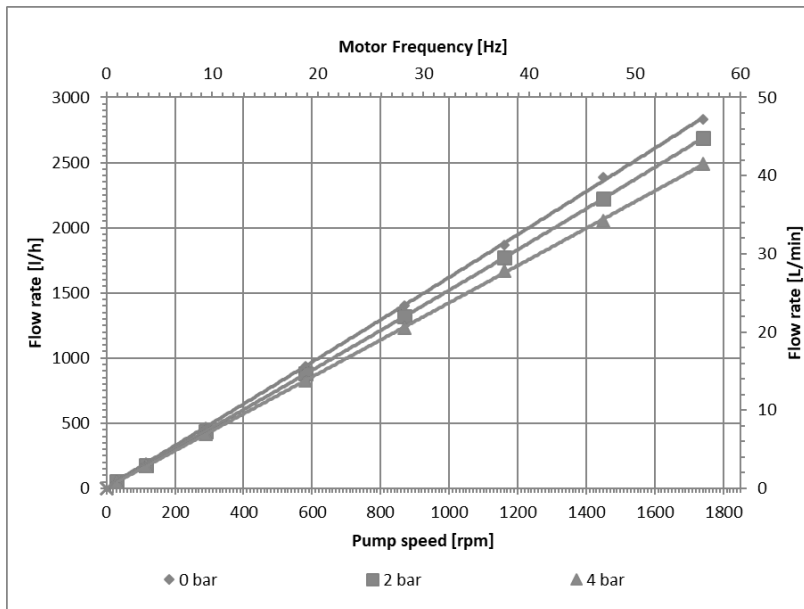
Shows approximate flow rates as function of pump rpm.

Please note:

If motor is directly coupled to pump: Pump rpm = motor rpm

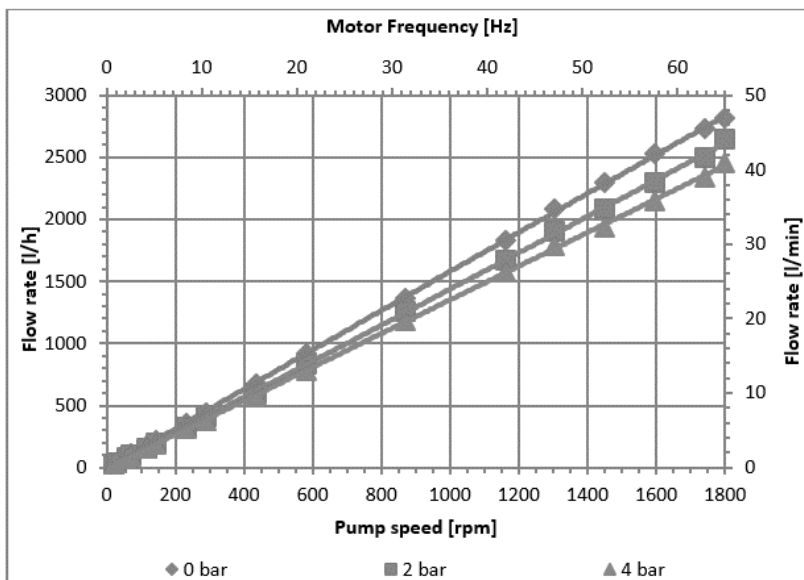
If reducer gear drives are used: Pump rpm = motor rpm x reduction ratio

### 6.1. Performance chart of the QF2500SU

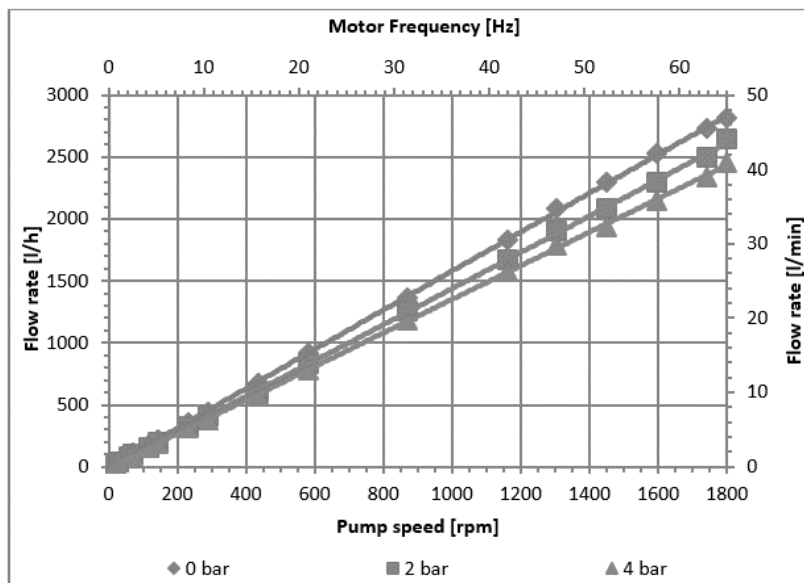


6.2.

Performance chart of the QF2500SU-HT



### 6.3. Performance chart of the QF2500SU-QCon



The flow rates showing at the charts above were ascertained with new diaphragms and new valves under standard conditions after the final assembly of the pump.

## 7. Technical Data

Description	Unit	QF2500SU Standard Motor	QF2500SU-HT Integrated controller	QF2500SU-QCon Integrated controller
<b>Flow rate max.:</b>				
Eccentric shaft 5°	l/h		2500	
<b>Flow rate min.:</b>				
Eccentric shaft 5°	l/h	50		25
<b>Pressure:</b>				
Temperature of fluid < 40°C	bar		4	
Temperature of fluid > 40°C	bar		4	
<b>Temperature max:</b>				
Fluid	°C		60	
Autoklave	°C		130	
<b>Suction lift dry at:</b>				
Eccentric shaft 5°	rpm	1750		1800
	m		4-4,5	
<b>Volumenangaben:</b>				
Approximated volume per revolution at free output	ml		27	
Filling volume without connectors	ml		210	
Residual volume (after idling with high-speed motor)	ml		0	
<b>Product wetted surface (approx.)</b>	cm <sup>2</sup>		793	
<b>Speed range pump</b>	U/min		20-1800	
<b>Connection specification inlet (standard)</b>				
Connector			1" TC	
Flange diameter	mm		50,5	
Internal diameter	mm		22	
<b>Connection specification outlet (standard)</b>				
Connector	"		1" TC	
Flange diameter	mm		50,5	
Internal diameter	mm		22	
Position of connectors			Front	
<b>Diameter pump shaft</b>	mm		20	
<b>Product wetted materials (standard):</b>				
Pump housing			PP	
Valve plate			PP	
Diaphragms			Santoprene	
Valves			EPDM	
O-rings			EPDM	
<b>Non-product wetted materials (standard):</b>				
Diaphragm housing cover			PP	
Bearing housing			1.4404	
Base plate			1.4301	
Hood			1.4301	
<b>Dimensions pump with motor and housing:</b>				
Length	mm	815	824	926
Width	mm	215		275
Height	mm	295	382,5	402,5
<b>Weight pump incl. pump chamber</b>	kg	63	60	64
<b>IP protection class (whole pump):</b>		54		54
<b>Operating temperature range</b>	°C (°F)	-20...40 (-4...104)		10...30 (50...86)
<b>Operation humidity</b>		Max 55%		30...75% (non-condensing)
<b>Storage and transportation temperature range</b>	°C (°F)	-20...50 (-4...122)		-10...55 (14...131)
<b>Storage and transportation humidity</b>		Max 60%		10...95% (non-condensing)
<b>Noise Level</b>	dB(A)	75		73

Description	Unit	QF2500SU Standard Motor	QF2500SU-HT Integrated controller			QF2500SU-QCon Integrated controller		
Custom tariff number		84135069						
<b>Certificates: (optional)</b>								
Elastomers (product wetted), included		USP <87>, USP<88> Cl. VI; FDA21CFR177; BSE/TSE Safe						
<b>Motor/Gear:</b>								
Manufacturer (standard)		Siemens	SEW					
Type		1AV3094B	CMP71S					
Rated speed	min-1	1.445 (50 Hz)	3000					
Voltage	V	230(Δ) / 400(Y)	230	400	230	400		
Ampacity	A	5,5 (Δ) / 3,15(Y)	8,7	4,9	8,7	4,9		
Power	KW	1,5	-					
Shaft diameter	mm		24					
IP protection class	IP	55	65					
Color	RAL	9001	9005					
Ventilation		Built-on motor	Integrated into housing					
Coupling			KTR (Rotex)					
Gear ratio			n/a					
<b>Control box/Frequency Converter:</b>								
Type		Optional: control in a separate control box (PQ25L)	control Integrated in pump					
Mains voltage	V	400	200-240	380-415	415-480	200-240	380-415	415-480
rated capacity	kW	2,2	1,5					
Nominal frequency	Hz		50-60					
rated current	A	6,1	7,5	4,5	4	7,5	4,5	4
Network shape			TN-S					
Mains supply		3P+N+E	3P+E					
protection level	A		16					
length, cross-section of the power cord	m mm <sup>2</sup> (ft,AWG)		5, 5x2,5 (16,4, 5x13)					
Connection of supply voltage		16A CEE Plug	Free cable end	16A CEE Plug	Free cable end	16A CEE Plug		
Length of connection cable for the pump	m (ft)	5 (16,4)	/					
Analog input			4-20 mA (Standard) 0- 10 V (optional)			4-20 mA or 0-10 V		
Modbus interface			/			RS485		
IP protection class	IP	54	see IP protection class pump					
Dimensions (length x width x height)	mm (inch)	210 x 380 x 390 (8.26 x 14.96 x 15.35)	see pump dimensions					
Weight approx	kg	ca. 20	see pump weight					
Housing material		1.4301	see pump housing					
<b>Ventilation:</b>								
Manufacturer (Standard)		Siemens	/					
Type		B32 IL-2-2	/					
Voltage	V	1 ~ Δ 220-277 3 ~ Δ 200-303 3 ~ Y 346-525	/					
Mains frequency	Hz	50-60	/					
Ampacity	A	0,29 0,37 0,21	/					
Nominal power	W	62 80 80	/					
Air performance max.	m <sup>3</sup> /h		/					
IP protection class	IP	66	/					

All technical data relate to a Quattroflow pump in the standard version. Special designed pumps (e.g. special product connections) may have different data that can be found in the advanced documentation for each Quattroflow pump.

Quattroflow is a brand of PSG Germany GmbH.  
PSG Germany is constantly working on improvements of the pump. Modifications of the design or materials might be done without prior notice.



Subject to change without notice, 2026-02 (2025-12)

**PSG Germany GmbH**  
**Hochstraße 150-152 | 47228 Duisburg | Germany**  
**Phone +49 2065 89205-0**  
**[www.cpc-bio.com](http://www.cpc-bio.com) | [info@cpc-bio.com](mailto:info@cpc-bio.com)**