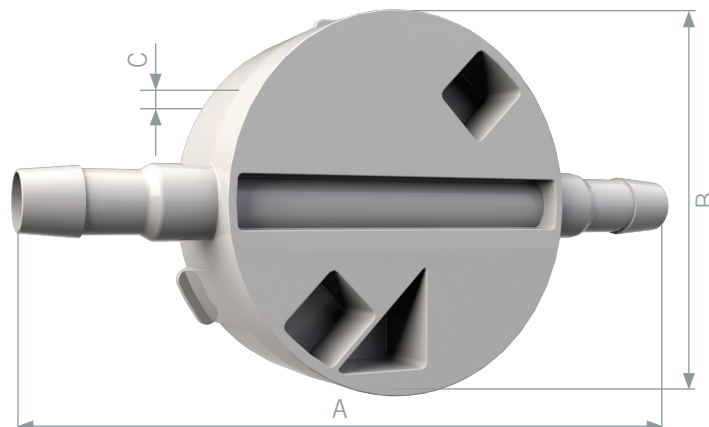


# BioPro™ FlowSU Sensor

Single-Use, In-Line Sensor



## FEATURES & BENEFITS

- ✓ Pressure resistant up to 5.1 bar (74 psi)
- ✓ Integrated bubble detection
- ✓ All five sizes compatible with the same evaluation device
- ✓ Standardized part – no calibration required
- ✓ Improved accuracy with On-Site Adjustment

## TECHNICAL SPECIFICATION

SENSOR SIZES (I.E. INNER DIAMETER)	DIMENSIONS (A X B X C) AND WEIGHT (WITHOUT PACKAGING)
	1/4" 135 x 90 x 33 mm; ±2 mm; 85 g 3/8" 137 x 90 x 34 mm ±2 mm; 89 g 1/2" 172 x 90 x 37 mm; ±2 mm; 100 g 3/4" 180 x 90 x 45 mm; ±2 mm; 127 g 1" 190 x 90 x 49 mm; ±2 mm; 147 g
HOUSING MATERIAL	Polycarbonate (PC; Lexan Grade HPH4404)
DEGREE OF POLLUTION	2
CLASSIFICATION OF WETTED PARTS	USP Class VI, free of animal derived components and TSE/BSE
PACKAGING AND CLEANROOM CONDITIONS	Packaged under ISO Class 7 cleanroom conditions compliant to USP 85, 87, 88, 661, 788, and DIN 11737-1: 2021
CONNECTION TO EVALUATION DEVICE	Male USB-C connector

## TECHNICAL SPECIFICATION

MOUNTING	Toolless, innovative locking mechanism
COMPATIBILITY	Multi-use BioPro™ FlowSU System
IP CLASS	IP 20 in unmated and/or dismounted condition IP 65 (=UL 50E Type 2) in mated and/or mounted condition
EXPECTED SHELF LIFE	24 months after gamma sterilization
DURATION OF USE	60 days
MEDIUM TEMPERATURE	4 °C to 60 °C

## SENSOR SIZES AND STANDARD MEASUREMENT RANGE

SENSOR SIZE	QMIN [L/MIN]	Q MID [L/MIN]	QMAX [L/MIN]	MAX. BURST PRESSURE [BAR]
1/4"	0.1	1	8	5.1
3/8"	0.1	1.25	15	5.1
1/2"	0.1	1.5	20	5.1
3/4"	2.5	4	50	5.1
1"	2.5	6	80	5.1

## ACCURACY

SENSOR SIZE	MAX. DEVIATION AT FLOW RATES BETWEEN QMIN AND Q MID Improvement possible with On-Site Adjustment	ACCURACY BETWEEN Q MID AND QMAX Improvement possible with On-Site Adjustment
1/4"	± 20 ml/min	± 2 %
3/8"	± 25 ml/min	± 2 %
1/2"	± 30 ml/min	± 2 %
3/4"	± 80 ml/min	± 2 %
1	± 120 ml/min	± 2 %

The specified accuracies were determined under the following conditions:

- Medium: distilled water with sodium chloride (salinity between 0.8 ppt and 1.4 ppt) and fully developed flow profile
- Straight inlet section: 15 x inner diameter of sensor
- The accuracy is specified within the defined flow measurement range. The flow measurement range is limited by the Qmin and the Qmax.
- The installation position of the BioPro™ FlowSU System in regard to the positioning of pumps and valves within the circuit impacts the measurement and must be taken into account when it comes to the accuracy of the BioPro™ FlowSU System

# AMBIENT CONDITIONS DURING TRANSPORT, STORAGE, AND OPERATION

## TRANSPORT AND STORAGE

ATMOSPHERIC PRESSURE	70 kPa to 106 kPa
TEMPERATURE RANGE TRANSPORT	-20 °C to 55 °C (-4 °F to 131 °F)
TEMPERATURE RANGE STORAGE	-20 °C to 45 °C (-4 °F to 113 °F)
RELATIVE HUMIDITY	10 % to 96 % (non-condensing)

## OPERATION

ATMOSPHERIC PRESSURE	70 kPa to 106 kPa
OPERATING ALTITUDE	Up to 2000 m (6600 feet)
TEMPERATURE RANGE	10 °C to 40 °C (50 °F to 104 °F)
RELATIVE HUMIDITY	10 % to 96 % (non-condensing)

DESIGN FOR LIFE



**WARNING:** The customer is solely responsible for determining the necessary or most suitable product or service for any particular use case or application. All such risks are assumed by the customer. Specifications subject to change without notice.  
**WARRANTY:** For product warranty information, please contact: [info@cpc-bio.com](mailto:info@cpc-bio.com) or +1 800-519-7633.  
 For trademark information, please visit: [www.cpc-bio.com/trademarks-and-patents](http://www.cpc-bio.com/trademarks-and-patents)  
 © 2026 CPC BIOTECH. ALL RIGHTS RESERVED.  
 FMS-BPFSU-SS-26001

**CPC BIOTECH | EM-TEC GMBH**  
 Lerchenberg 20  
 86923 Finning, Germany  
 Phone: +49 8806 9236 0  
 Email: [info@cpc-bio.com](mailto:info@cpc-bio.com)

[cpc-bio.com](http://cpc-bio.com)