

BioProTT™ FlowMCP -

EXTENSION CABLE



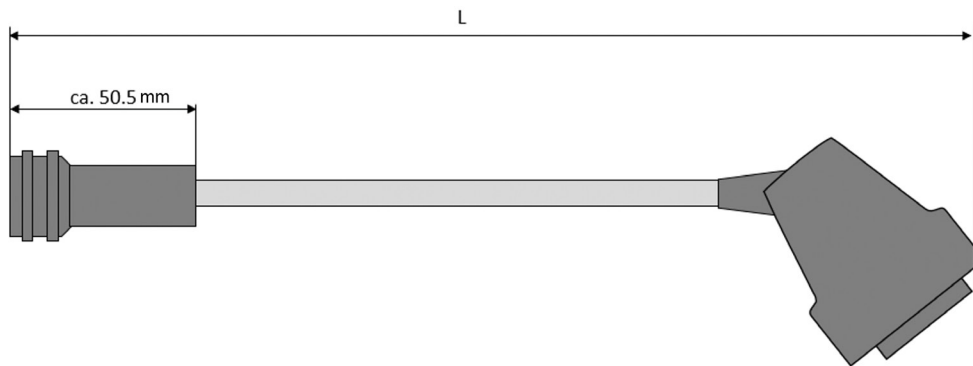
FEATURES

- extension cable to connect the BioProTT™ Clamp-On SL to the BioProTT™ FlowMCP
- IP Class 68 (round plug and in mated condition)
- available in four sizes



Technical Specification

Variant	BioProTT™ MCP Extension Cable 0.25 m	BioProTT™ MCP Extension Cable 1.10 m	BioProTT™ MCP Extension Cable 2.65 m*	BioProTT™ MCP Extension Cable 3.30 m*
Article Number	13709	13710	13711	14095**
Length	0.25 m	1.10 m	2.65 m	3.30 m
Weight	100 g	140 g	220 g	240 g
IP Class	IP 68 (at round plug) in mated condition			
Compatible with	BioProTT™ FlowMCP 1- 4 Series			

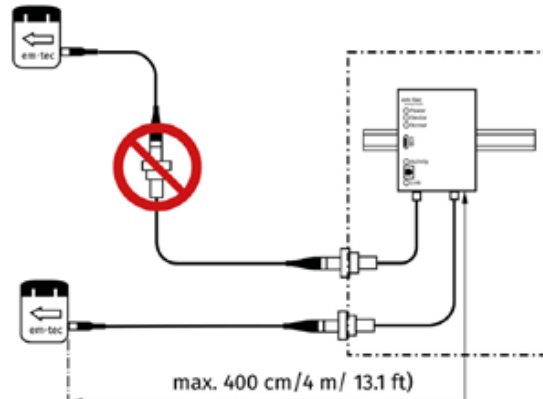


*Note: Please use a BioProTT™ Clamp-On SL with a shortened sensor cable in order to stay below four meters total cable length.

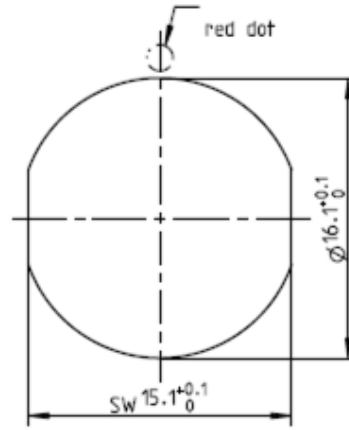
** available on request

Use

In order to connect the BioProTT™ Clamp-On SL to the BioProTT™ FlowMCP variant inside the control cabinet, a panel cut-out is needed:

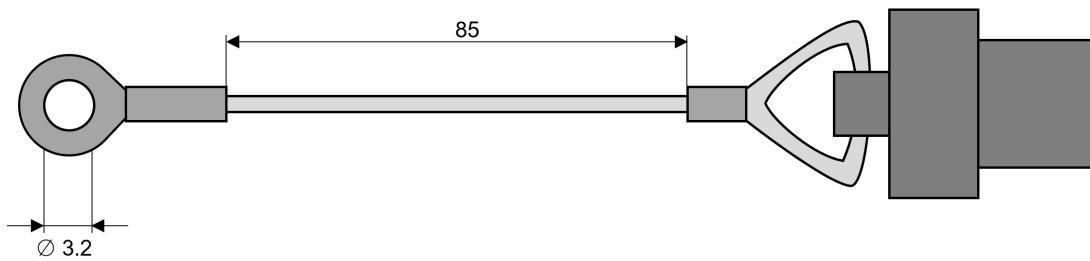


The panel cut-out must have the following dimensions:



Available Accessory: Protective Cap for IP 68 Extension Cable

Protective cap for IP 68 extension cable the round plug with solder plug $\varnothing 3.2$ mm



Article Number

13802

IP Class

IP 68 in mated condition

PSG Biotech | em-tec GmbH
Lerchenberg 20
86923 Finning, Germany
T +49 8806 9236 0
em-tec-sales@psgdover.com
psgdover.com/biotech

D214-714 BioProTT™ FlowMCP Extension Cable — Data Sheet — V2.0 | EMT-10009-T-01-A4