

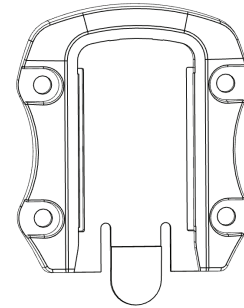
# BioProTT™ Clamp-On Bracket



## BioProTT™ Mounting Solutions

### FEATURES

- bracket for the BioProTT™ Clamp-On SL XL Sensors
- click mechanism for easy fixation and dismounting of sensors
- available in two sizes



### BIOPROTT™ CLAMP-ON BRACKET FOR XL SENSORS

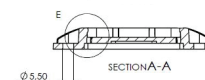
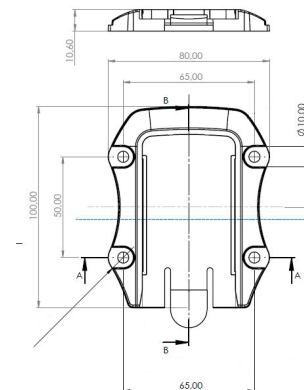
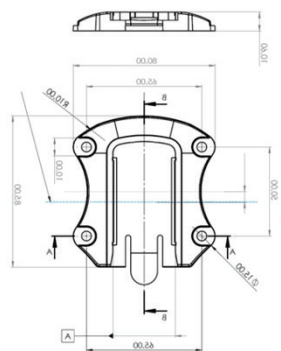
#### TECHNICAL SPECIFICATIONS

	BioProTT™ Clamp-On Bracket Size 35	BioProTT™ Clamp-On Bracket Size 46
Article No. / ID	13678	13679
Compatible with Sensors of the Sizes	1/2" x 3/16" 3/4" x 1/8" 3/4" x 3/16"	1" x 1/8" 1" x 3/16" 1 - 1/4" x 3/16"
Size (H x W x D)	85 x 80 x 10.6 mm	100 x 80 x 10.6 mm
Weight	28 g	31 g
Material		polyamide
Mounting		four M5 screws (not included)
Maximum Load		5 Nm
Expected Product Life		5 years
Cleaning and Disinfection		disinfect easily using alcohol based surface cleaners

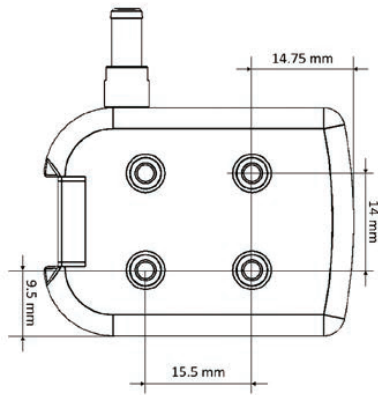
#### TECHNICAL DRAWINGS

**Please note:**

The BioProTT™ Clamp-On Bracket in combination with the BioProTT™ Clamp-On SL is not suitable for tube mounting. To fix the tube, you must use another suitable option.



## MOUNTING FEATURE FOR SMALLER SENSORS\*



- mounting feature for three different sensor sizes
- for the firm fixation of sensors
- part of the sensor — no additional part or product necessary

## TECHNICAL SPECIFICATIONS

<b>Article No./ID and Size</b>	ID 13650	1/8" x 1/16"
	ID 13651	1/4" x 1/16"
	ID 13652	1/2" x 1/8"
	ID 13673	3/8" x 1/8"
<b>Material</b>	epoxy resin	
<b>Mounting</b>	four M3 screws with recommended thread length of 4 mm	
<b>Tightening Torque</b>	max. 0.7 Nm	
<b>Maximum Load</b>	2 kg	
<b>Expected Product Life</b>	10 years	
<b>Cleaning and Disinfection</b>	commonly used detergents and cleaning agents and/or Bacillol® AF by Hartmann	

**\*Please note:**

The BioProTT™ Mounting Solution is not suitable for tube mounting. To fix the tube, you must use another suitable option.

## AMBIENT CONDITIONS DURING TRANSPORT, STORAGE, AND OPERATION

### Transport and Storage

Atmospheric Pressure	70 kPa to 106 kPa
Temperature Range Transport	-20 °C to 55 °C (-4 °F to 131 °F)
Relative Humidity	10 % to 96 % (non-condensing)

### Operation

Atmospheric Pressure	70 kPa to 106 kPa
Temperature Range	10 °C to 40 °C (50 °F to 104 °F)
Relative Humidity	10 % to 96 % (non-condensing)

PSG Biotech | em-tec GmbH  
 Lerchenberg 20  
 86923 Finning, Germany  
 T +49 8806 9236 0  
 em-tec-sales@psgdover.com  
[psgdover.com/biotech](https://psgdover.com/biotech)

D162-710 BioProTT™ Mounting Solutions — Data Sheet — V2.0

© 2024 PSG\*, a Dover company  
 PSG\* reserves the right to modify the information and illustrations contained in this document without prior notice. This is a non-contractual document.

